

# AutoCAD

CIVIL

MECHANICAL

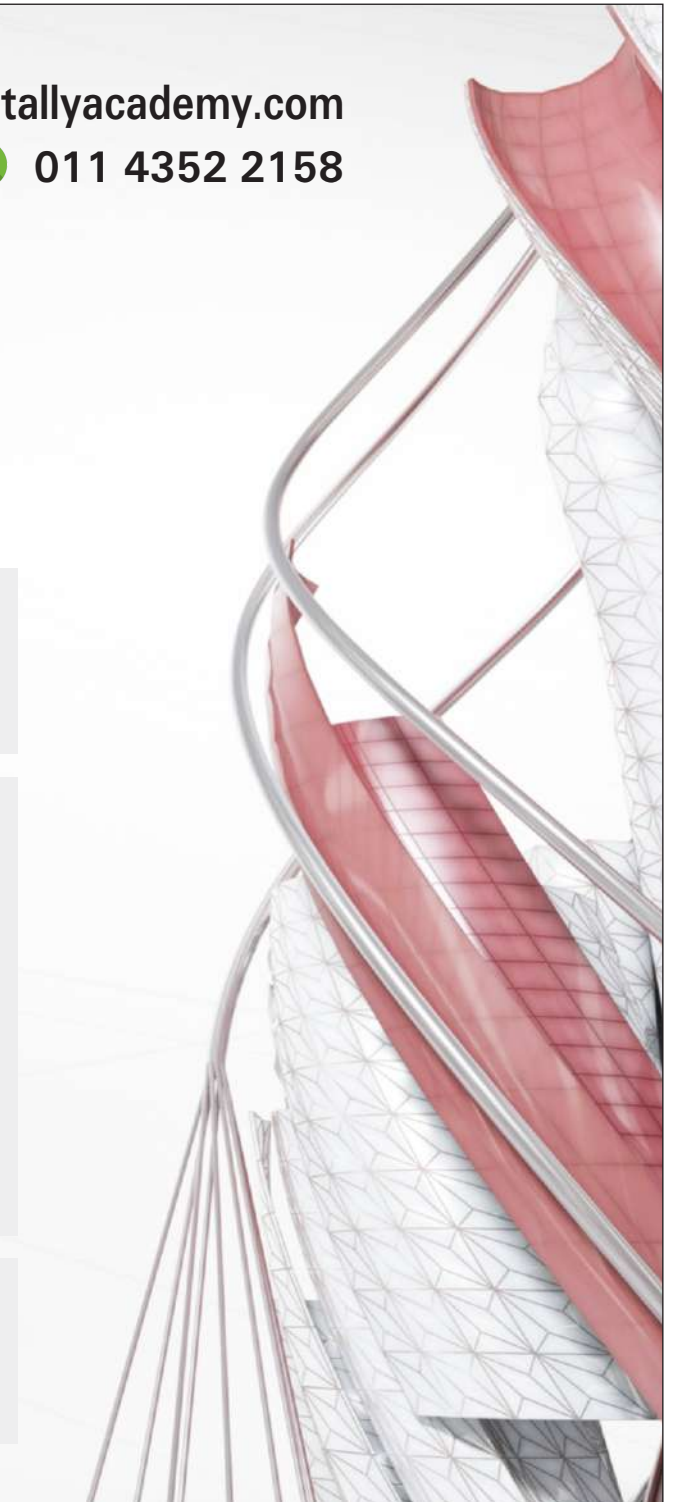
ELECTRICAL

 [www.attitudetallyacademy.com](http://www.attitudetallyacademy.com)

 011 4352 2158

# AutoCAD

- ▶ **AutoCAD** is a 2-D and 3-D computer-aided drafting software application.
- ▶ Its used in architecture, construction, and manufacturing to assist in the preparation of blueprints and other engineering plans like Refinery Plants, Power Plants, Hospitals etc.
- ▶ Professionals who use AutoCAD are often referred to as drafters.



# AutoCAD (Civil)

## Course Overview

- ▶ AutoCAD Civil 3D training imparts the skills to use AutoCAD Civil 3D civil engineering design software from Autodesk.
- ▶ Participants gains insight about how the software supports site designing for layouts, and pipe networking.
- ▶ AutoCAD Civil 3D course helps the civil engineers to better understand project components by acquiring knowledge of the creation and working of assemblies and corridors.
- ▶ The candidates achieve proficiency in using precision drafting tools for creating accurate technical drawings along with detailed format.
- ▶ The different ways of managing data are also covered as a by-product of the design.

## Modules

- ▶ Civil 3D
- ▶ Working with Points
- ▶ Working with Alignments
- ▶ Working with Surfaces
- ▶ Working with Profiles
- ▶ Working with Sections
- ▶ Working with Corridors
- ▶ Creating Cul-De-Sacs
- ▶ Creating Knucnkles



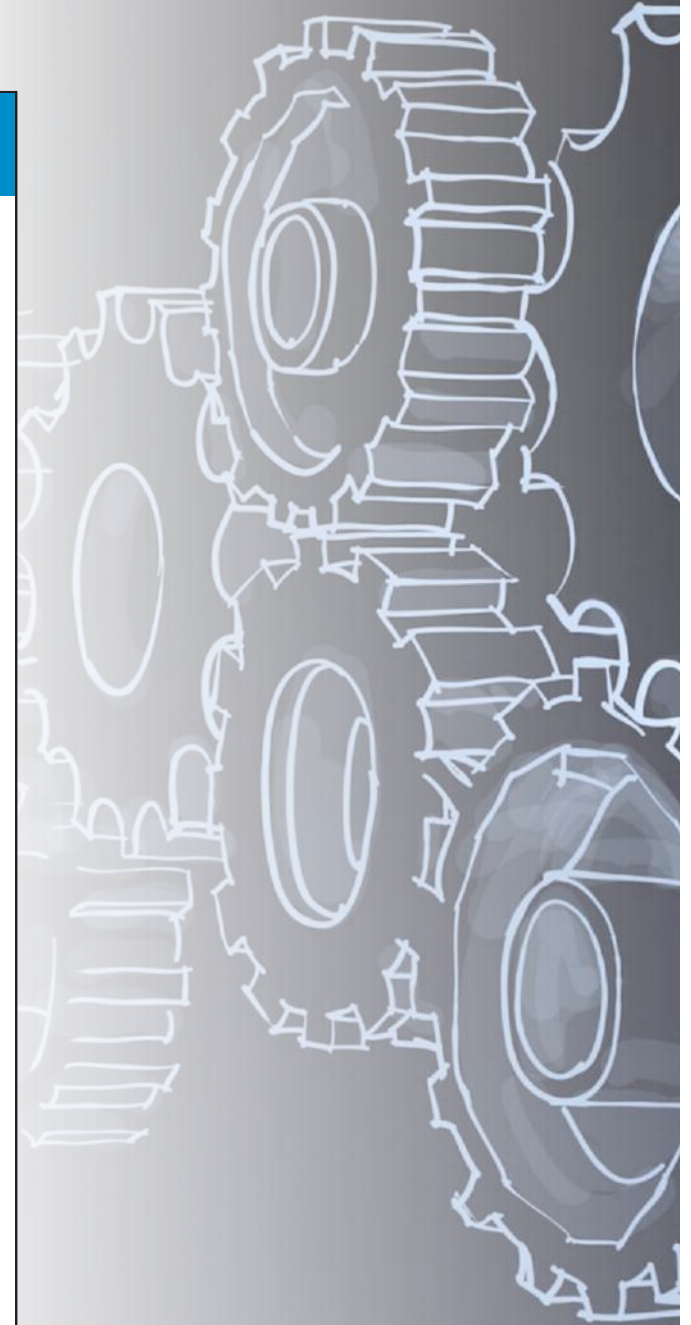
# AutoCAD (Mechanical)

## Course Overview

- ▶ AutoCAD Mechanical training course imparts drawing skills to professionals of all levels ranging beginner to experts.
- ▶ The training commences with the basic commands necessary for professional 2D drawing, design, and drafting using AutoCAD software from Autodesk.
- ▶ The learning curve expands by exploring the tools and techniques for drawing, dimensioning, and printing.
- ▶ The participants learn how to reuse and modify the existing.
- ▶ The training prepares the candidates to appear for the AutoCAD Associate Certification and the AutoCAD Professional Certification.
- ▶ The candidates must clear the associate level certification for being professional certified.

## Modules

- ▶ Taking the AutoCAD Tour
- ▶ Creating Basic Drawings
- ▶ Manipulating Objects
- ▶ Drawing Organization and Inquiry Commands
- ▶ Altering Objects
- ▶ Annotating Drawings
- ▶ Hatching Objects
- ▶ Dimensioning
- ▶ Working with Reusable Content
- ▶ Creating Additional Drawing Objects
- ▶ Layouts and Plotting
- ▶ Plotting Drawings



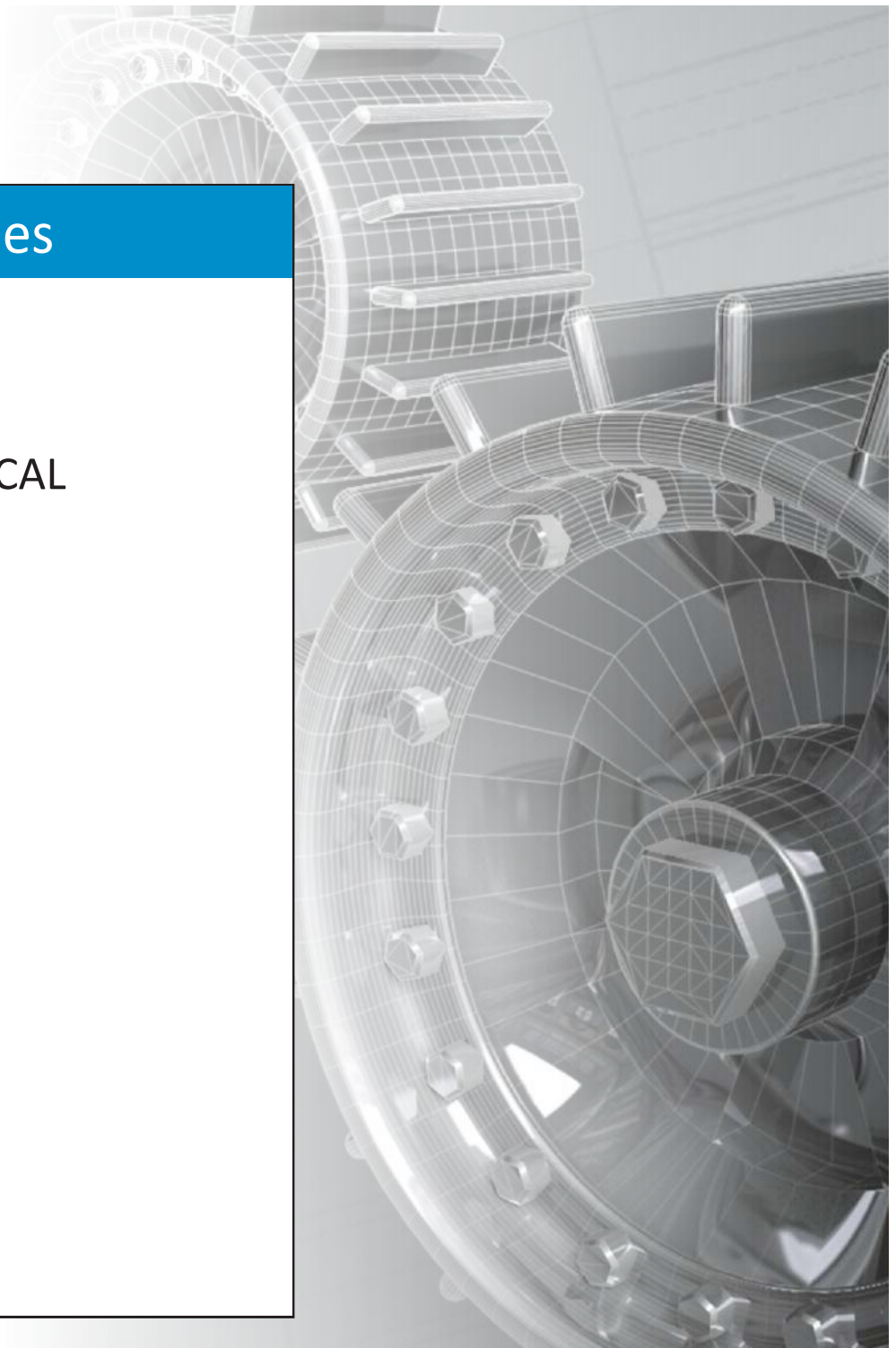
# AutoCAD (Electrical)

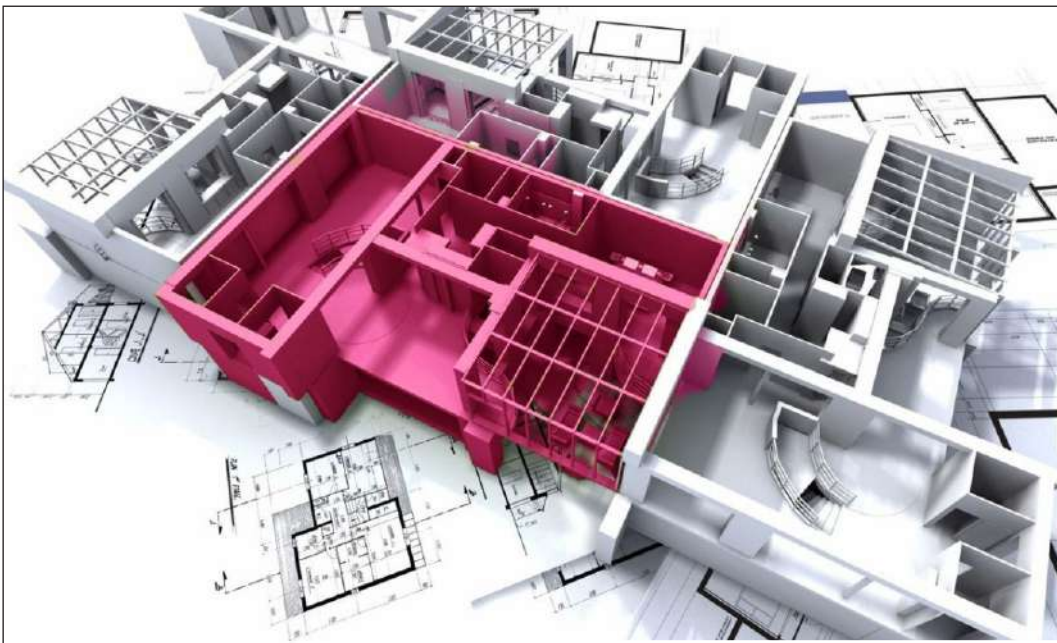
## Course Overview

- ▶ SP3D- electrical training provides information on the concepts, operational procedures, methods, and features of SP3D relevant to the electrical domain.
- ▶ The participants will learn how to create a 3D model of various electrical design elements generally used in a plant.
- ▶ Extensive hands-on practice will make the aspirants capable enough to work on any type of project.
- ▶ The candidates can implement the gained knowledge in the detailed designing for engineering projects in Oil & Gas, Petrochemicals, Power plant, Food and beverage, Pharmaceuticals, and other sectors based on electrical and instrumentation.

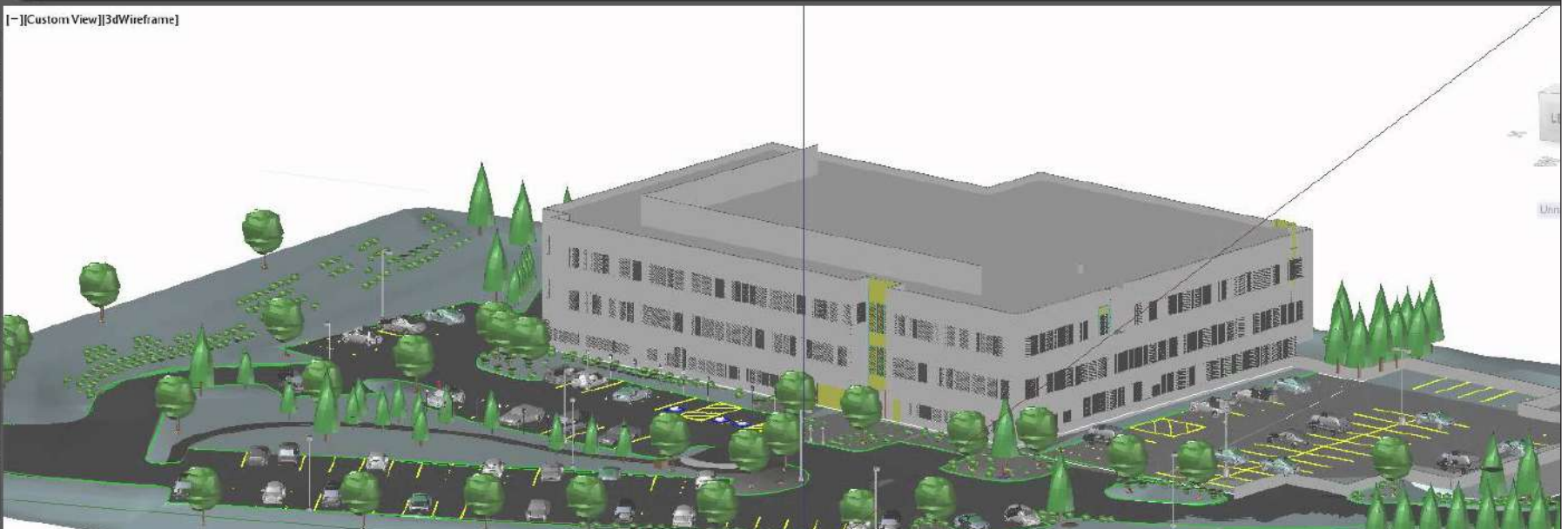
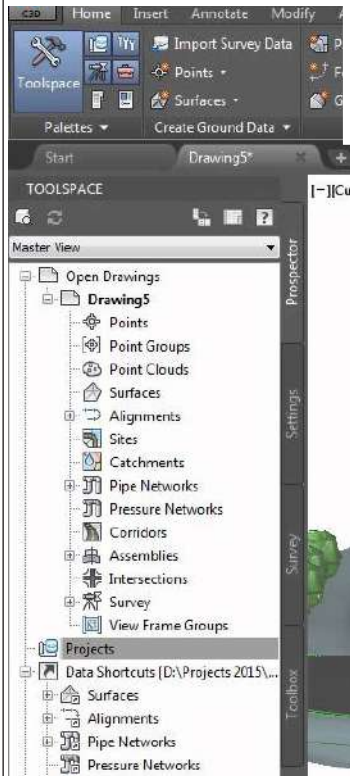
## Modules

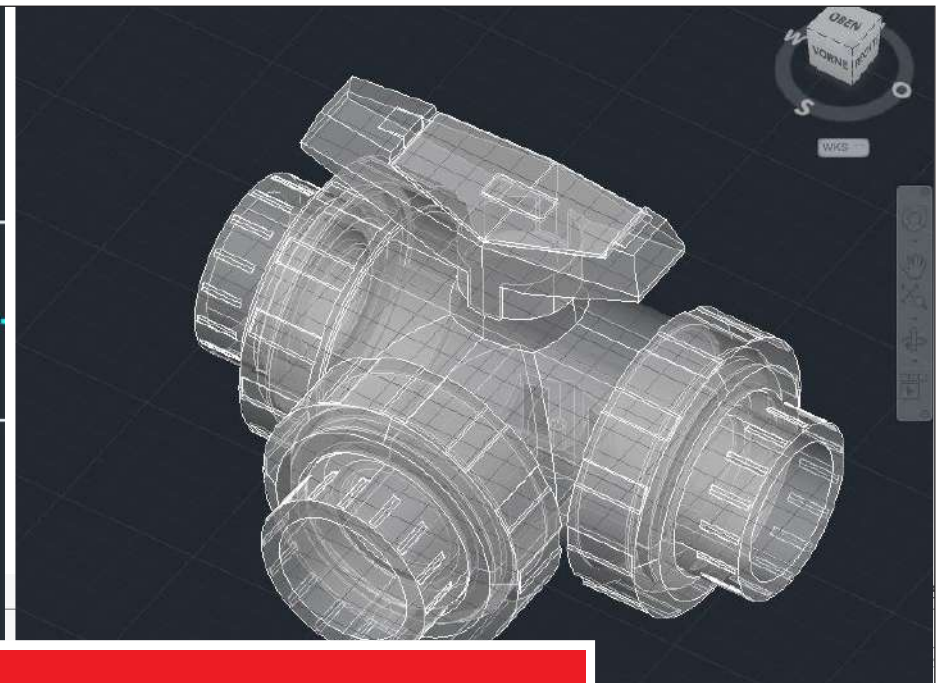
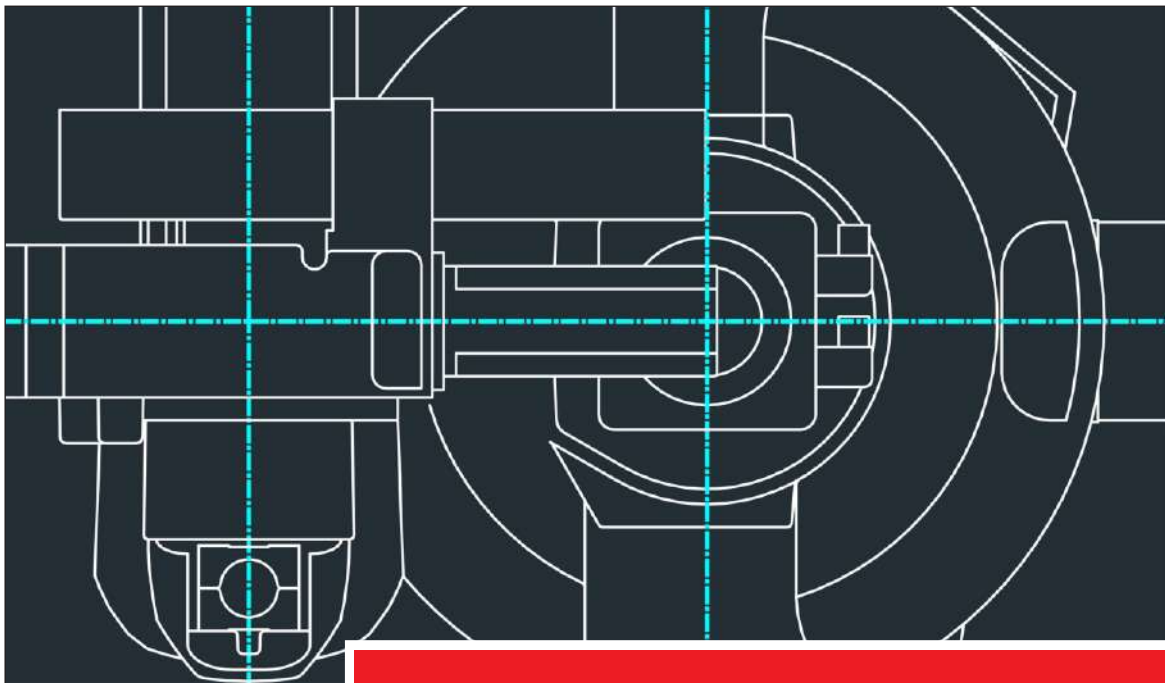
- ▶ Introduction
- ▶ Structure
- ▶ SP3D- ELECTRICAL



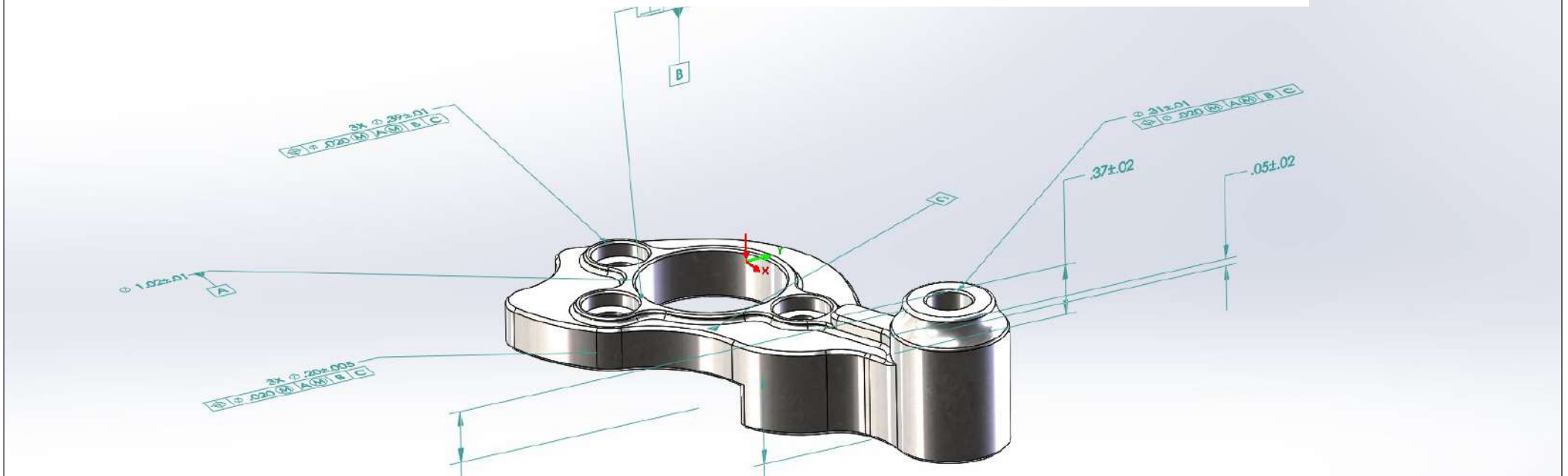


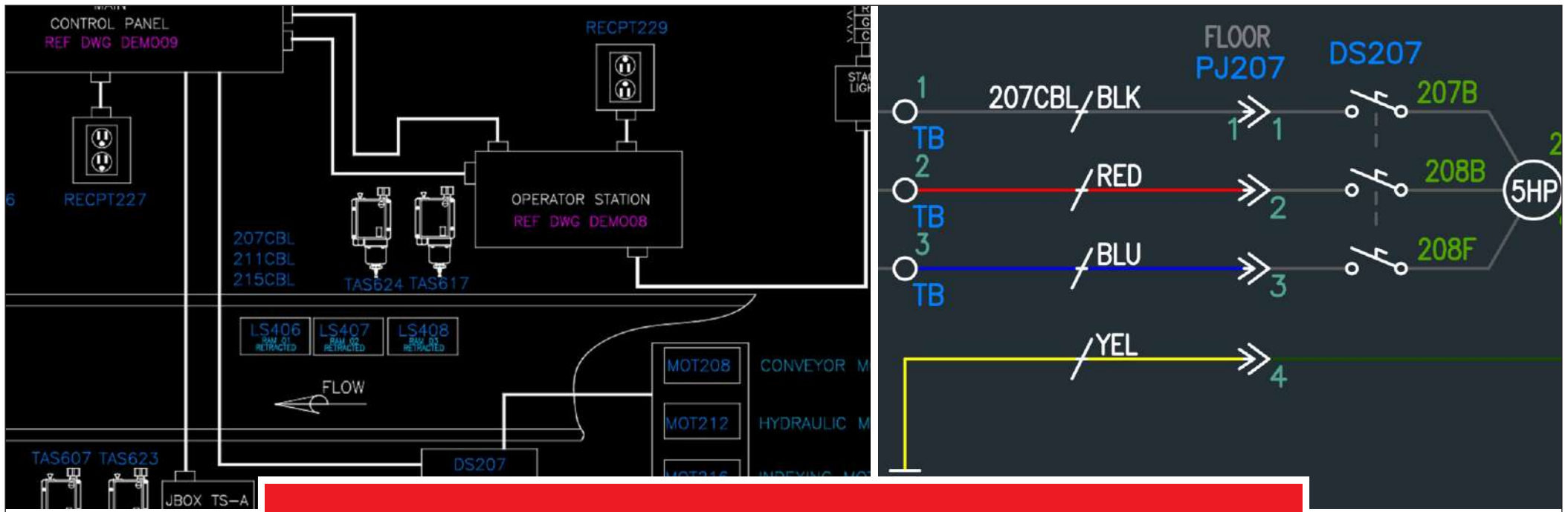
# Examples : Civil (Arch)



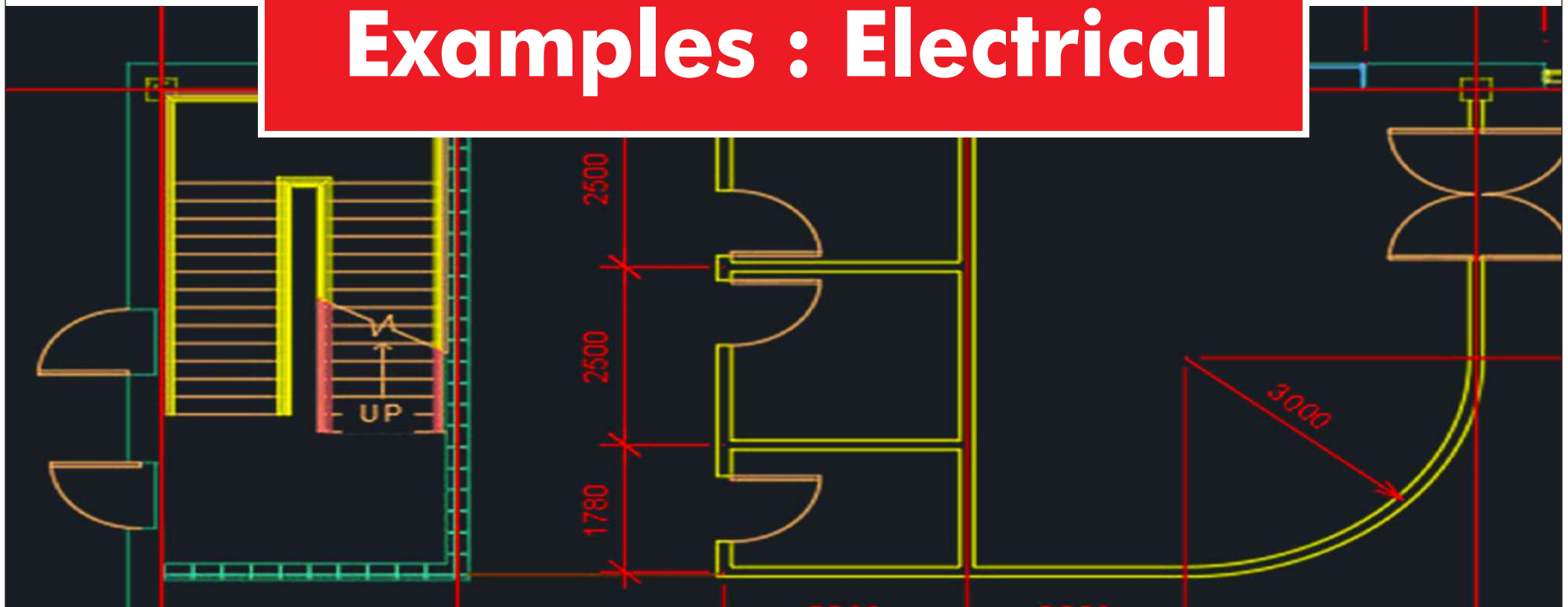


# Examples : Mechanical





# Examples : Electrical





# JOB OPTIONS

## CIVIL

- ▶ Site Engineer
- ▶ Design Engineer
- ▶ CAD Designer
- ▶ Draftsman
- ▶ Architectural Assistance
- ▶ Structural Draftsman etc.

## MECHANICAL

- ▶ AutoCAD Draftsman
- ▶ Mechanical Design Eng.
- ▶ Project Planner
- ▶ Project Planning Controlling
- ▶ Draftsman Mechanical
- ▶ AutoCAD Engineer etc.

## ELECTRICAL

- ▶ PLC Designer
- ▶ Design Engineer
- ▶ Drafter
- ▶ Entry Level Designer
- ▶ Electrical Designer
- ▶ Electrical Engineer etc.

**Fasten**

**Your Career & Business  
Growth Become an Expert in**

**AutoCAD**

**SALARY :  
20,000 TO 25,000  
FOR FRESHER**

# Why Attitude Academy?

**Attitude Academy** has been incorporated to empower the current and the next generation employees to contribute in greater measure to their work, while finding personal success. Our continuing education services combine technical and instructional expertise, helping educators increase training delivery on business technology.

**Attitude Academy** are high quality training and placement institutes in India. delivers Industry endorsed course content, scientifically designed teaching methodology, online assessment, certification and unmatched quality of placement and help students to benefit from its philosophy.... the Power of Employability and thus bridge the gap between education and employment.

**Getting trained at Attitude would make you more employable because :**

- ISO 9001 : 2008 Company
- One of the Finest Education Brands in North India
- Widest Range of Career Options
- Free Industry Readiness Programme with each Career Course
- 100% Placement Assistance
- Life Time Placement Support
- Internship Programme for meritorious students
- On-line Knowledge Sharing
- e-Library
- 24X7 Web-based student support system
- Regular Seminars / Workshops
- Well Researched Study Materials

# Student Support Services :

Students will have an access to a dedicated support cell where they can get in touch with Attitude for resolving their queries over phone, email or live Chat.

## Training Support

Attitude Academy will continuously keep on delivering high quality of training and placements.

### Highlights :

- Online Tutorials
- Online / Offline Exams
- Projects / Live Training
- Additional Updates
- News & Events

## Assessment Support

Students are awarded a Certificate or Diploma after they qualify the Online Assessment designed by Attitude. Assessing students online simplifies the entire evaluation process and involves minimal human intervention. Designed from a huge question bank repository, online assessment is aimed to minimize the efforts and maximize the benefits for the student.

## Placement Support

With a highly experienced placement team and strong corporate relations it is our endeavor to provide 100% placement assistance to all our students enrolling in all courses and place them in reputed organizations.

### Highlights :

- Video and Visual Resume
- Mock Interview sessions
- Industry Exposure to sensitize students towards real life scenarios
- Jobs in organized sectors with higher salaries.

# WHAT STUDENTS SAY ABOUT US



**SHIVANI TYAGI**

One of the good thing about this academy is that students have the oppportunity to work on live projects also



**MOHD BILAL**

What is loved at your academy was your skilled and excellent trainers having brilliant knowledge descipline and punctuality.



**PRACHI BHARJDWAJ**

One of the best AutoCAD and 3D Max Vfx trainers are there at Attitude Academy!



**ANANT VASU**

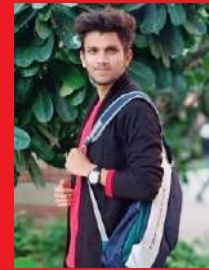
Wow! what a institute for AutoCAD designing.... I enjoyed it my friends.....

# WHAT STUDENTS SAY ABOUT US



**AFZAL**

its a best academy.. for those students who really want to do something in their life. The academy give its full support to the students.



**REHAN SAIFI**

Really very supportive coaching/training staff for all certification courses in the institute!



**AKRAM SAIFI**

Best academy for AutoCAD Training. I will give 5 out of 5 star to it...



**DEEPAK RAWAT**

Best academy for AutoCAD and Fashion Designing Training. I will give 5 out of 5 star to it...

**CONTACT US :**

# **ATTITUDE ACADEMY**

**Yamuna Vihar : B-2/19A, behind B-block Bus Stand  
Yamuna Vihar, Delhi-110053**

**Uttam Nagar : WZ-13A, Metro Pillar No.655,  
Main Najafgarh Road, Uttam Nager,  
Delhi-110059**

**Phone : 011-43522158**

**Telephone : +91-9654382235**

**Email : [info@attitudetallyacademy.com](mailto:info@attitudetallyacademy.com)**

**Web : [www.attitudetallyacademy.com](http://www.attitudetallyacademy.com)**